

Power Track Installation Guide



Table of Contents

Document Revision.....	2
Contact Details.....	2
Installation Instructions	3
Feed unit.....	3
Power Track.....	4
Interlink.....	5
Fixing.....	6
Tap-off	7
General Information	8

Document Revision

Revision No.	Date	Reason for revision
001	January 2013	Initial version
002	24/07/2013	Update Technical Data

Contact Details

Apex Wiring Solutions

St. Johns Road, Meadowfield Industrial Estate, Durham DH7 8RJ
Tel: 0191 378 7900 • Fax: 0191 378 7909

www.apexwiringsolutions.co.uk • info@apexwiringsolutions.co.uk

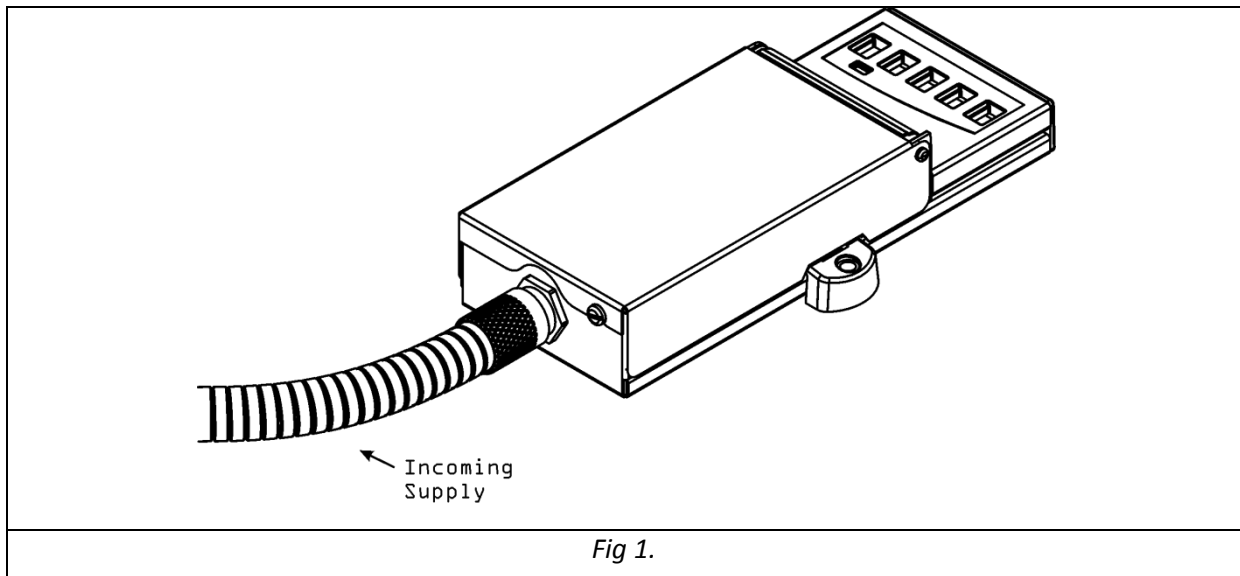


Installation Instructions

Power Track is only for **indoor** use and in dry conditions and is “Acceptable for use in environmental air-handling spaces under raised flooring”. The system is pre-wired for different circuit configurations; therefore ensure that system is correct for the application proposed. Each configuration is color and key coded and only components for one color and key are designed to fit together. Floor mounting brackets are incorporated within the track and feed unit for mounting direct to floor slabs. **Do not mount on strut.**

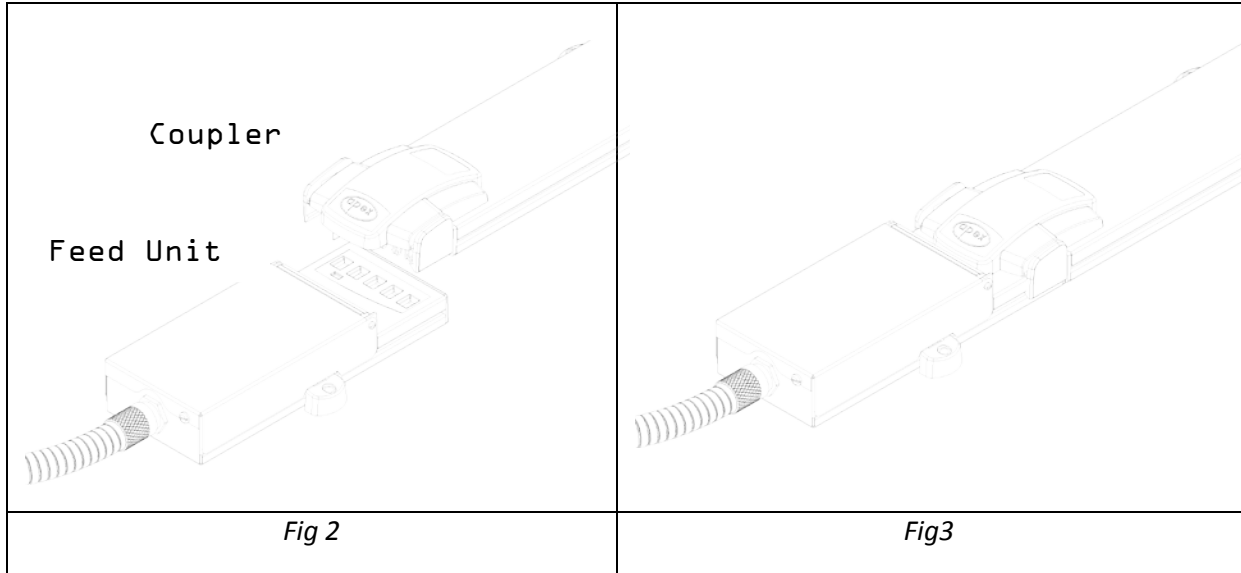
Feed unit

Determine the run of **Power Track** across a level floor in a straight line and arrange for the feed unit entry to be oriented towards the incoming supply. (Fig1)

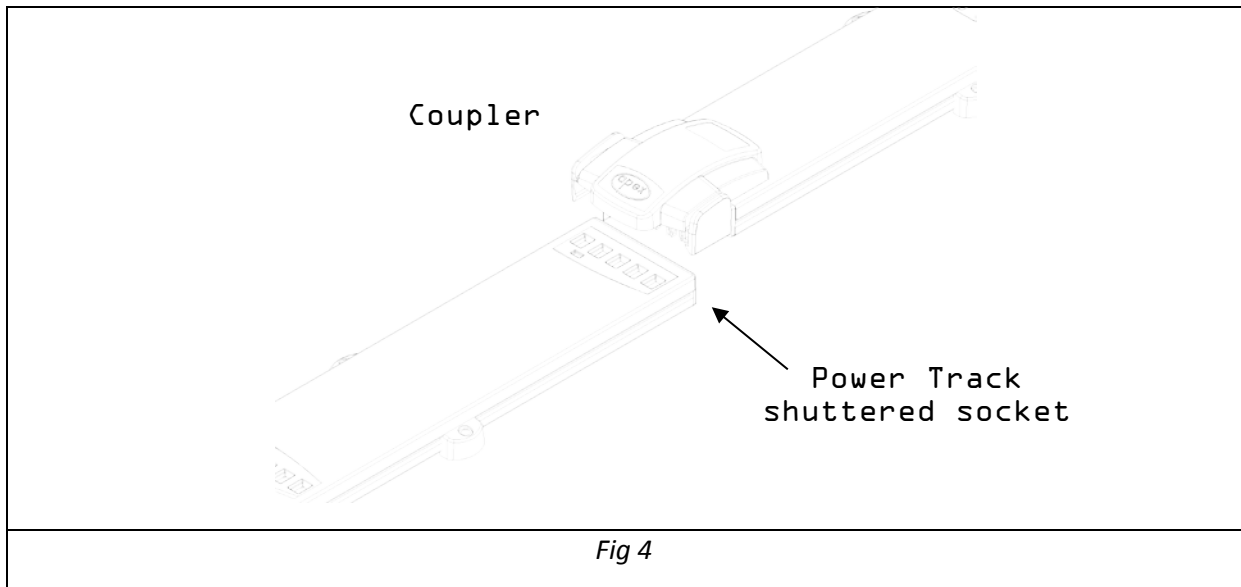


Power Track

Place the **Power Track** and insert the coupler into the socket on the feed unit confirming the keyway is engaged first. (Fig 2 / Fig 3)

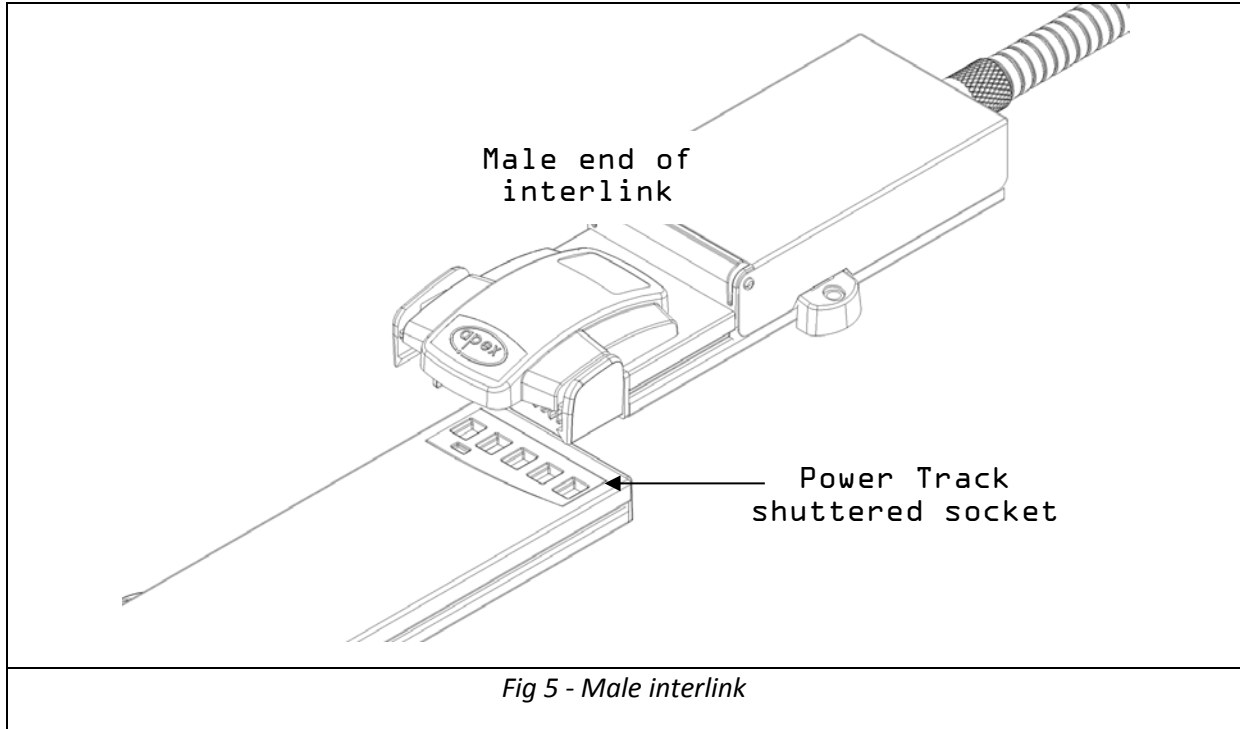


If using continuous lengths clip next length to existing track as shown in (Fig 4) and keep repeating until the length of track is complete.

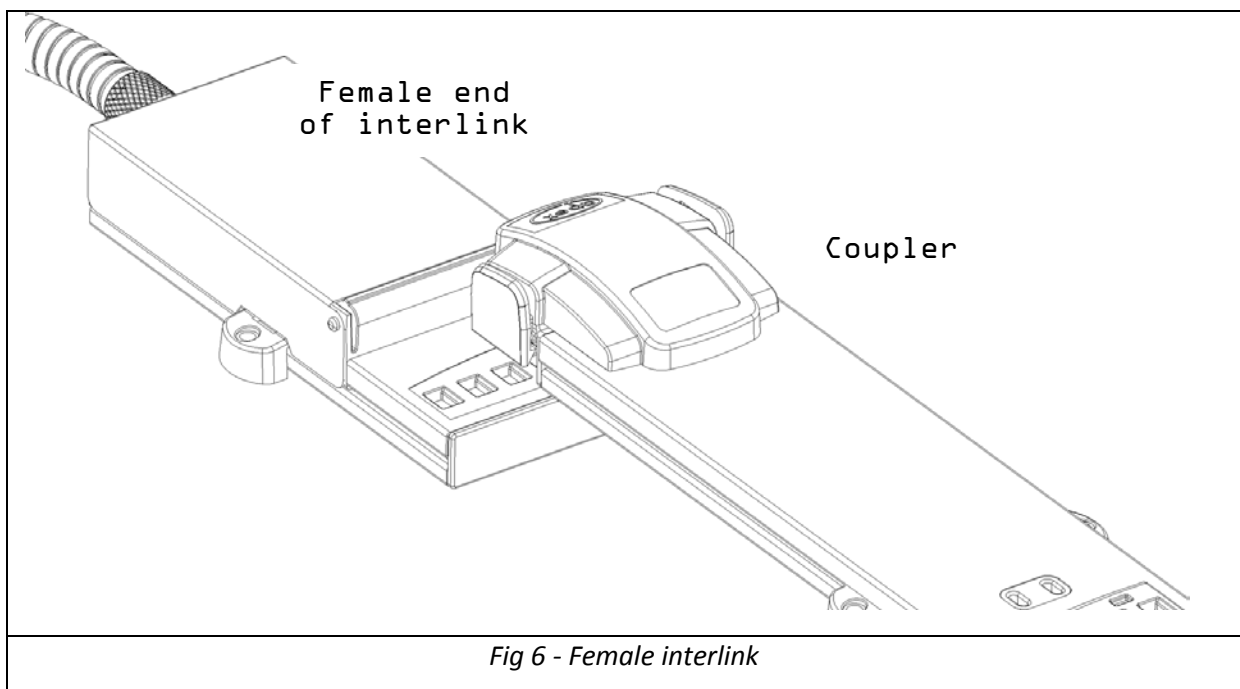


Interlink

When utilizing an Interlink connect the male end of the Interlink to the socket of the track ensuring the keyway is engaged first. (Fig 5).



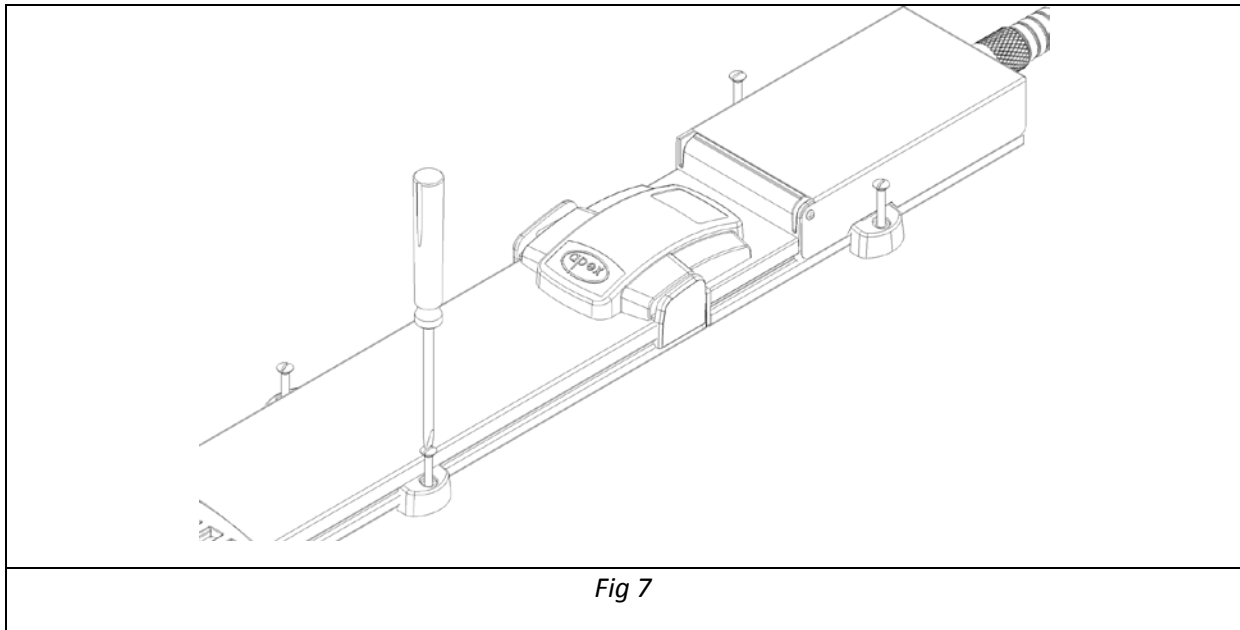
Position the Female Interlink and connect the track as previously described. (Fig 6)



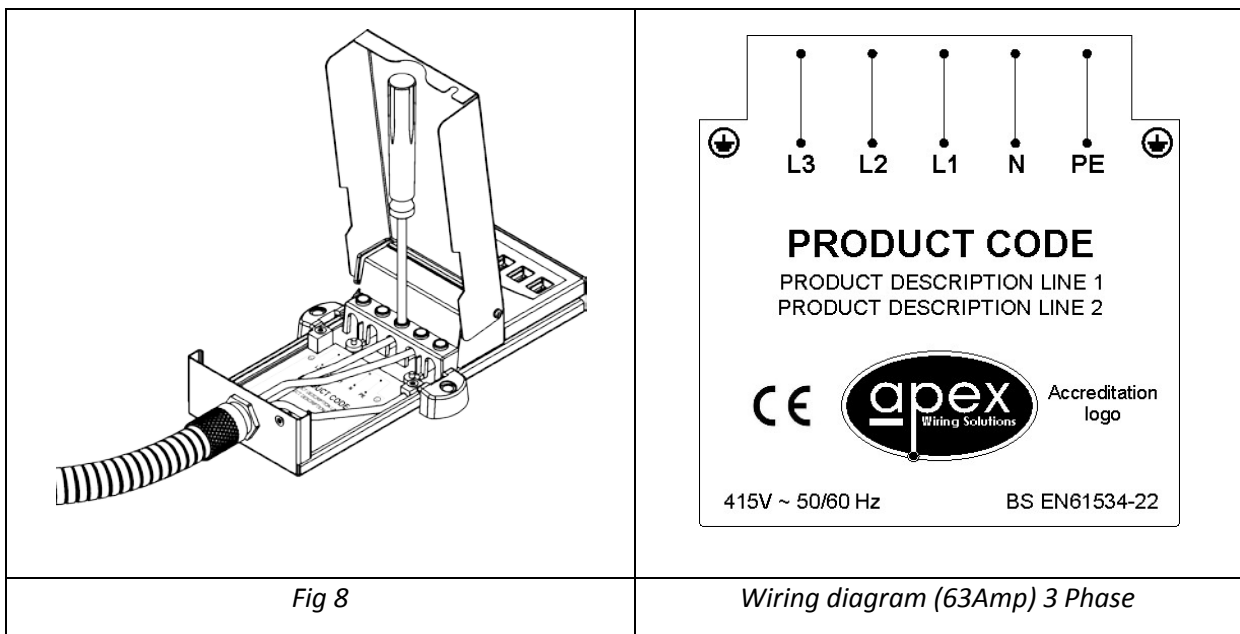
Fixing

On completion of the **Power Track** assembly confirm the position is correct and secure to the floor slab.

Secure the feed unit using suitable fixings via the holes in the base and the track every (1.2m.max) by the mounting brackets provided along its length (Fig 7).



Connect the feed unit by inserting the stripped wire into the correct terminal, as shown, see Wiring diagram (Fig 8) and tighten screw



Tap-off

WARNING Terminate wiring before inserting tap-off unit plug.

Determine the most suitable socket on the **Power Track** for the tap-off, remove. Locate the tap-off plug into the socket keyways by slightly pressing in the side tabs and push down keeping the plug square until the two clips on either side of the plug are engaged in the track slots and the plug sits on the case. (Fig 9)

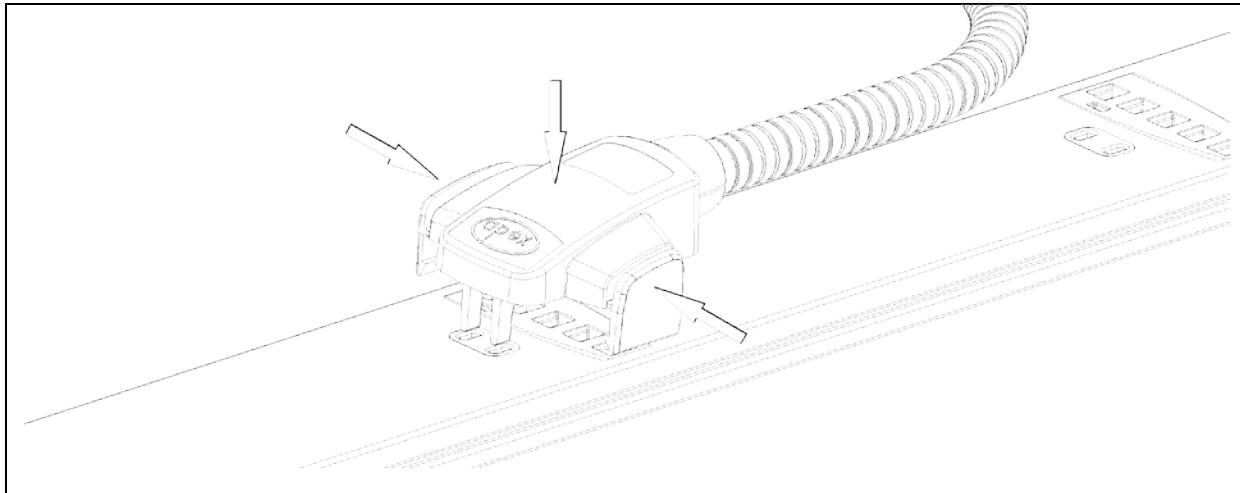


Fig 9

Removal of the tap-off plug may be achieved while the system is live but the tap-off is not under load.

To remove tap-off push down on top of tap-off, push in side tabs at the same time, then withdraw the tap-off (Fig 10)

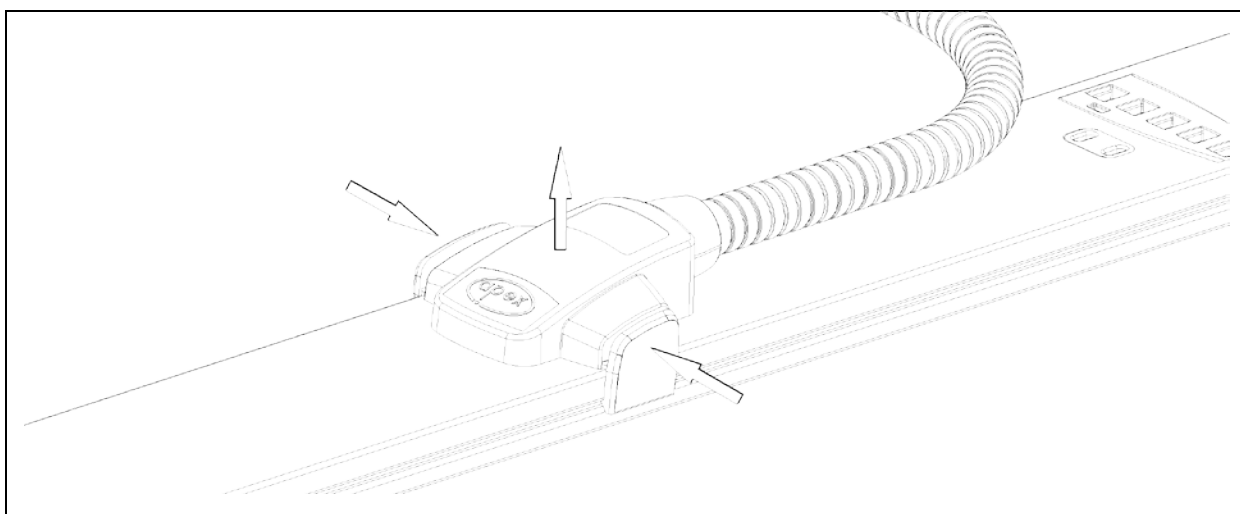


Fig 10



General Information

ELECTRICAL CHARACTERISTICS

Rated Current	63	Amps
Rated Voltage	480Y/277	Volts
Frequency	50/60	Hz
Conditional Short Circuit Rating (Protection device)	16	KA

Volt Drops Line & Neutral

Power Track	3.68	mV/A/m
Track Connector	0.4	mV/A
Tap-Off	0.4	mV/A
Interlink	2.7	mV/A

Ground Fault Loop Impedance

Line to Ground (Casing)	2.7	mΩ/m
Line to Ground (Conductor)	3.3	mΩ/m
Line to Ground (Conductor + Casing)	2.7	mΩ/m
Tap-Off	0.7	mΩ
16mm	3.1	mΩ/m
Interlink	2.0	mΩ
4mm	12	mΩ/m

MECHANICAL DATA

Number of Copper conductors	2, 3 or 5
Conduit Cross-sectional Area (Nominal)	19 mm
Cable Termination Capacity	16 mm
Tap-Off Cable 20 Amp	4 mm
Tap-Off Conduit Sizes O/D	16 mm
Flexible Interlink Cable 63 Amp	16 mm ²
Feed Conduit Entry	25 mm
IP Rating	40
Minimum void depth (track + tap-off)	55 mm

MATERIAL SPECIFICATION

Power Track Casing	Galvanised Steel
Conductors	Copper Alloy
Power Track Insulators	POM
Sockets/ Tap-Off Plugs/ Joint Moulding	Polycarbonate LSF
Shutter	POM
Tap-Off / Interlink Flexible Conduit	Galvanised Steel
Tap-Off / Coupler Blade	Brass
Feed Unit Case	Galvanised Steel
Feed / Flexible Interlink Housing	Galvanised Steel